

**GENERAL STRUCTURAL NOTES**

**DESIGN CRITERIA:**

BUILDING CODE: 2016 CALIFORNIA BUILDING CODE, (CBC)

WIND:  
V (3-SECOND GUST SPEED) = 115 MPH  
RISK CATEGORY = III  
EXPOSURE = C

SEISMIC:  
IMPORTANCE FACTOR, IE = 1.25  
MAPPED SPECTRAL RESPONSE ACCELERATIONS: S<sub>s</sub> = 2.754, S<sub>1</sub> = 0.924  
SITE CLASS = D  
SPECTRAL RESPONSE COEFFICIENTS: SDS = 1.034, SDI = 0.924  
SEISMIC DESIGN CATEGORY = D

**NOTES TO CONTRACTOR:**

PROJECT SAFETY IS THE RESPONSIBILITY OF THE CONTRACTOR OR PERSONS IN CHARGE OF THE DAY-TO-DAY CONSTRUCTION. COMPLY WITH ALL OSHA REQUIREMENTS. PROVIDE TEMPORARY BRACING, SHORING, GUYING OR OTHER MEANS TO AVOID EXCESSIVE STRESSES AND TO HOLD STRUCTURAL ELEMENTS IN PLACE DURING ERECTION.

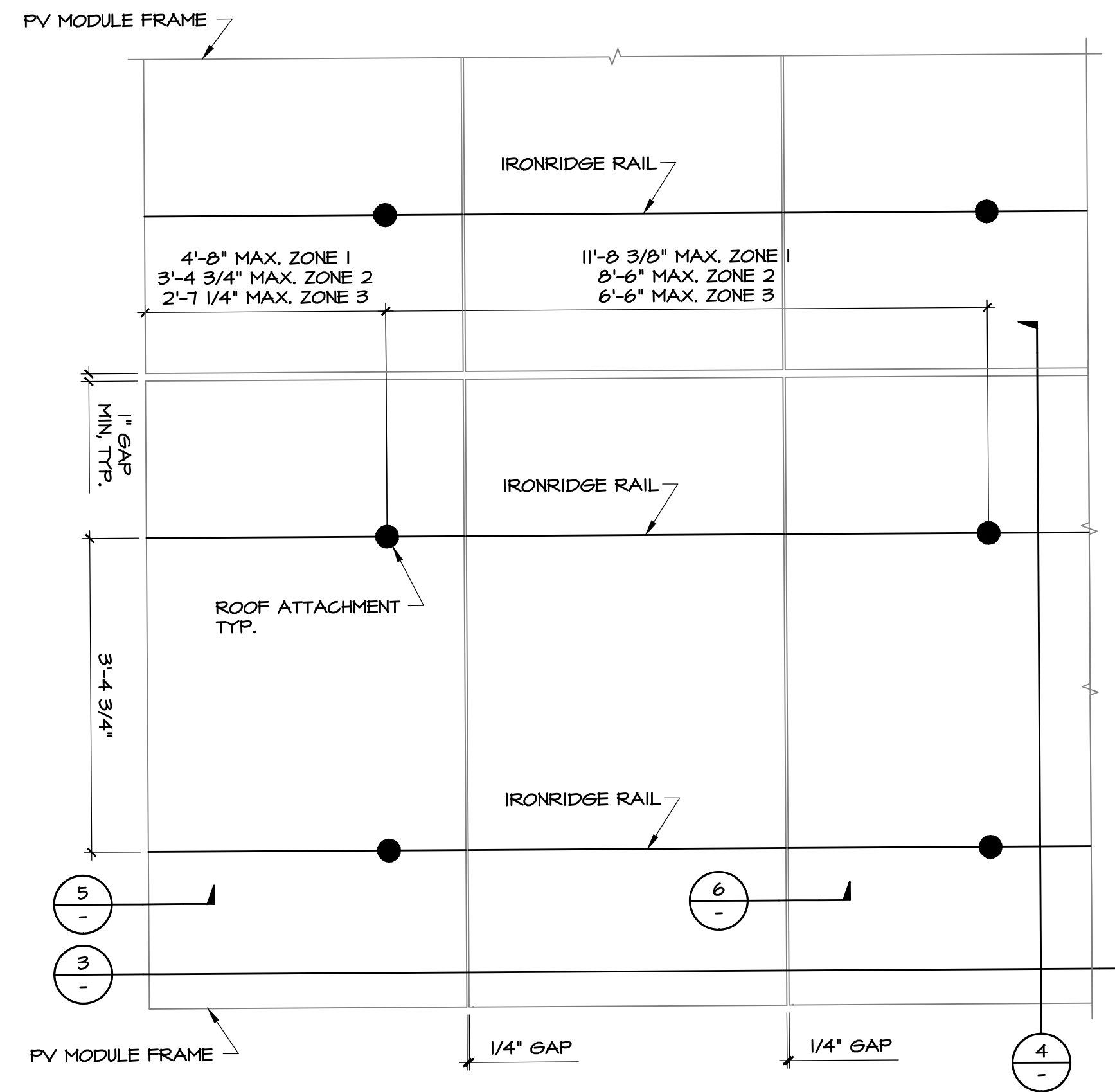
VERIFY EXISTING CONDITIONS SHOWN IN DRAWINGS. PROMPTLY NOTIFY THE ENGINEER IF DETAILS AND INFORMATION CONTAINED ON THESE PLANS DO NOT CONFORM TO THE CONSTRUCTION SITE CONDITIONS.

VERIFY ALL DIMENSIONS AND ELEVATIONS WITH THE DRAWINGS AND WITH ACTUAL FIELD CONDITIONS. DIMENSIONAL CONTROL IS THE RESPONSIBILITY OF THE GENERAL CONTRACTOR. ESTABLISH AND VERIFY ALL OPENINGS AND INSERTS FOR MECHANICAL, ELECTRICAL AND PLUMBING WITH APPROPRIATE TRADES, DRAWINGS AND SUBCONTRACTORS PRIOR TO CONSTRUCTION.

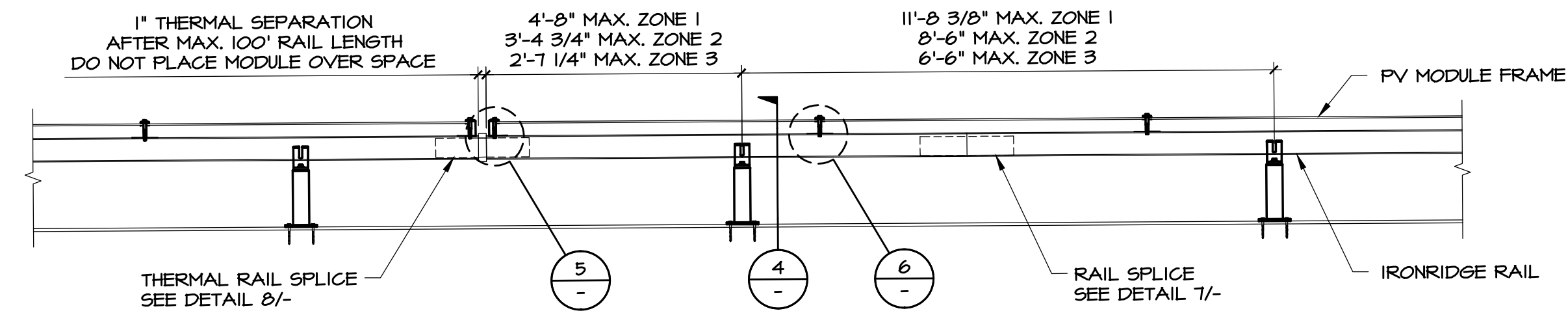
IF THERE ARE CONFLICTS IN THE DRAWINGS, THE COSTLIER ITEMS SHOWN SHALL GOVERN FOR BIDDING PURPOSES, OR SUBMIT A PRE-BID "REQUEST FOR CLARIFICATION".

ENGINEERING DESIGN PROVIDED BY OTHERS SHALL BEAR THE SEAL OF AN ENGINEER REGISTERED IN CALIFORNIA.

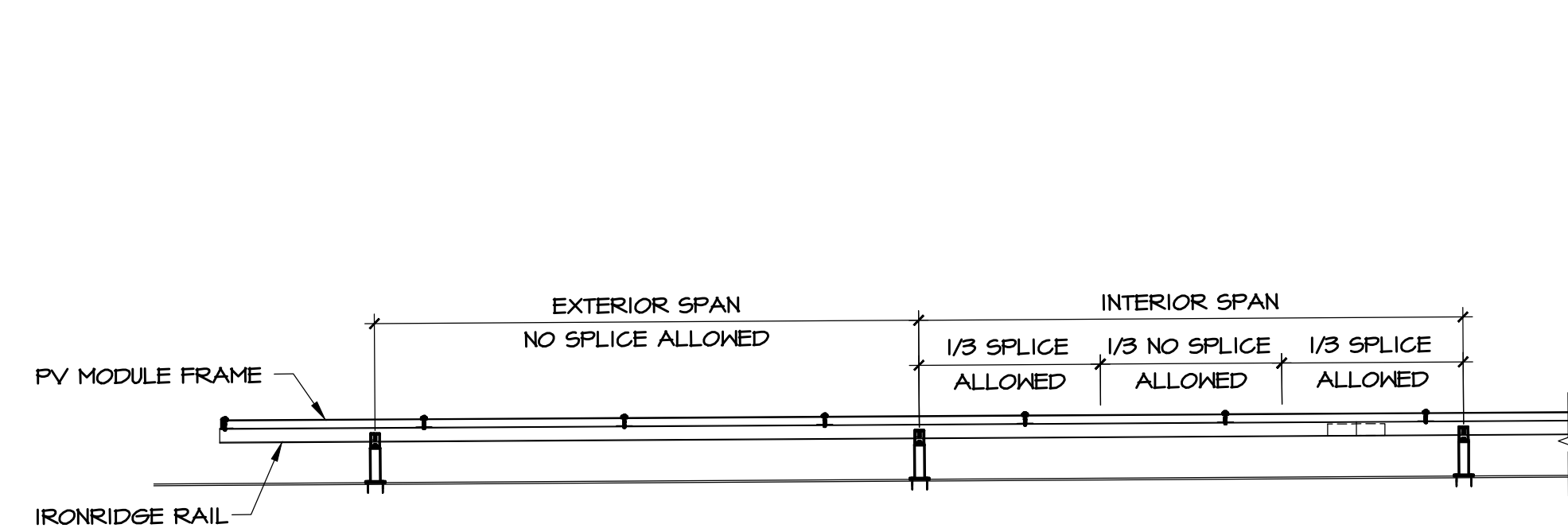
NOTE:  
DESIGN PROVIDED FOR SOLAR MODULE RACKING AND STANDOFF. ATTACHMENT TO ROOF SHALL BE PROVIDED BY OTHERS. THE CAPACITY OF THE EXISTING ROOF AND BUILDING STRUCTURE TO SUPPORT THE SOLAR ARRAY IS TO BE DETERMINED BY OTHERS.



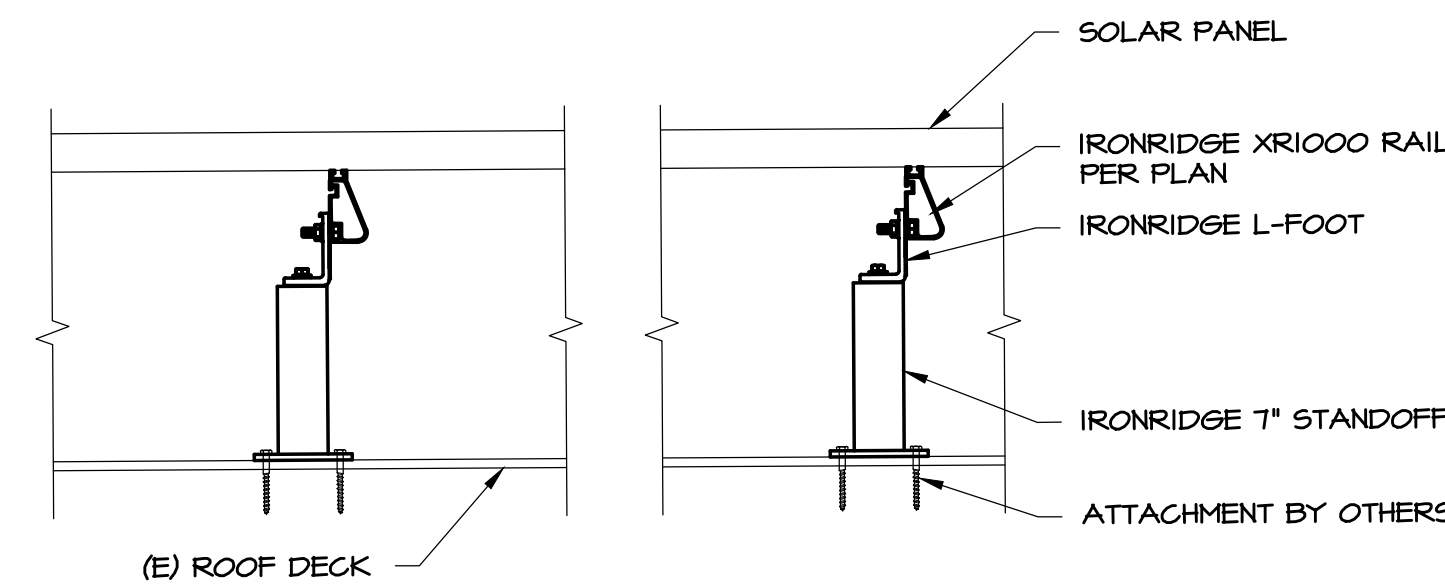
1 PARTIAL ARRAY PLAN SCALE: 3/4"=1'-0"



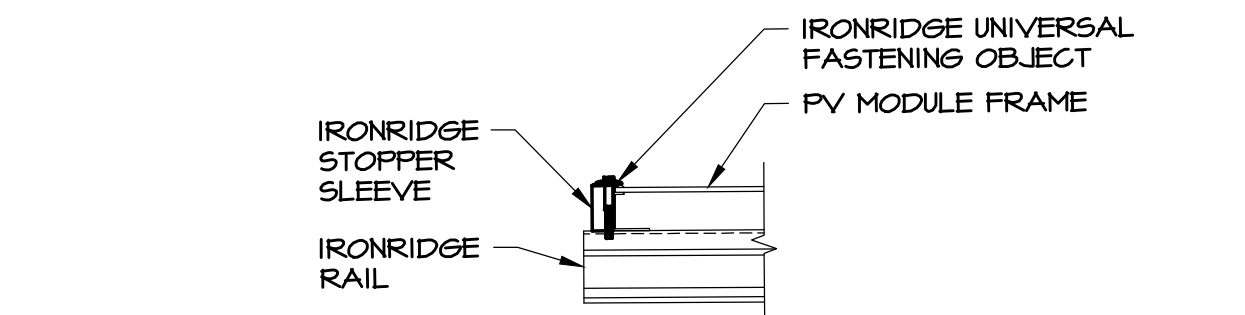
2 SECTION - FRONT VIEW SCALE: 3/4"=1'-0"



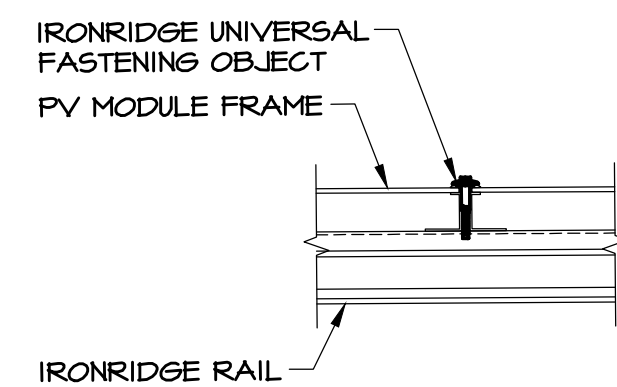
3 RAIL SPLICE LOCATION SCALE: 3/8"=1'-0"



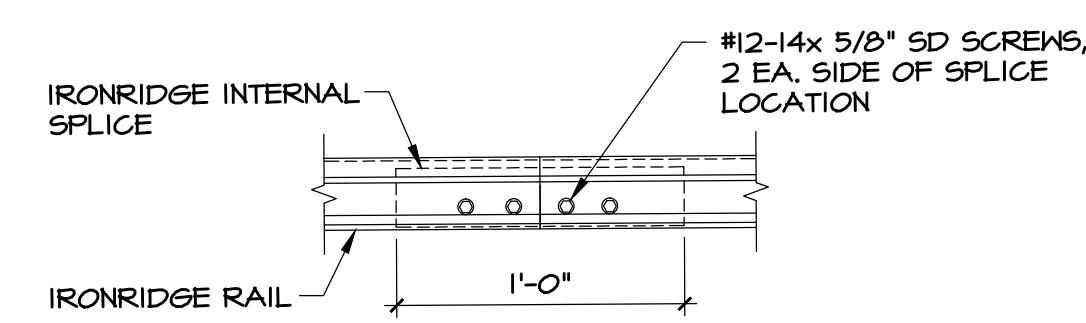
4 SECTION - SIDE VIEW SCALE: 1 1/2"=1'-0"



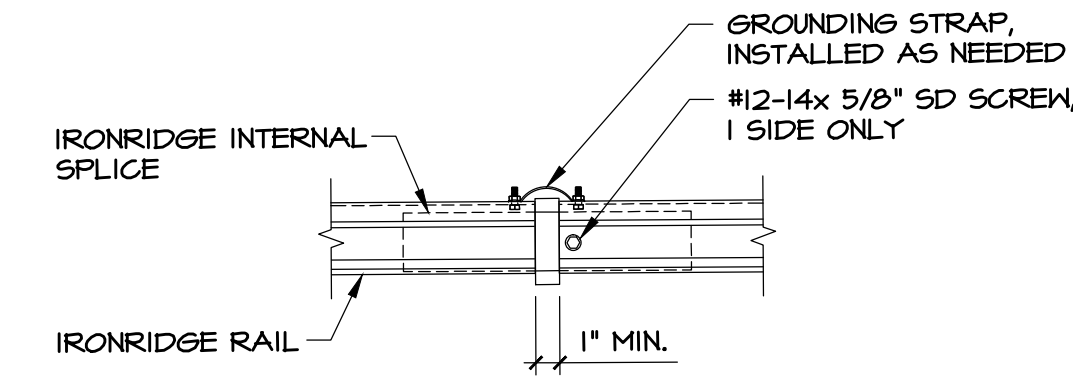
5 END MOUNT SCALE: 1 1/2"=1'-0"



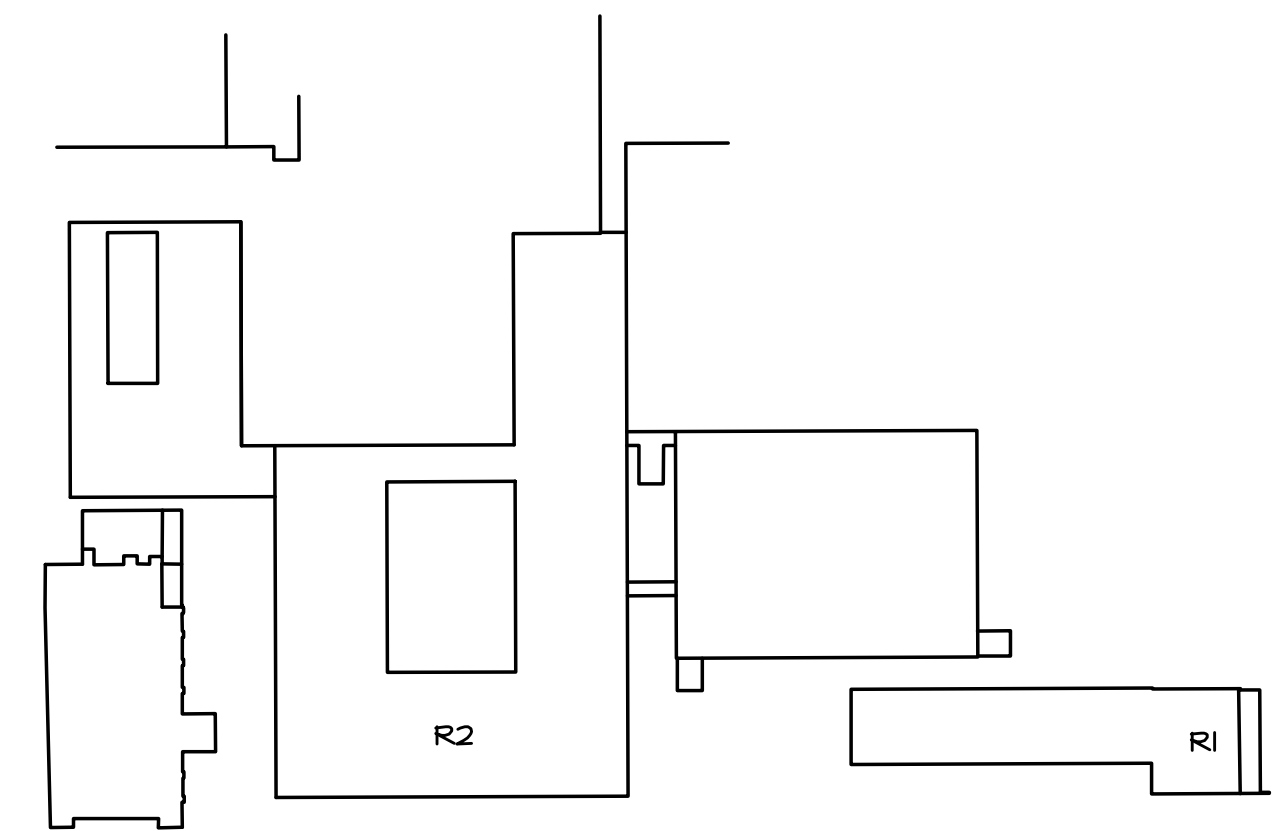
6 MID MOUNT SCALE: 1 1/2"=1'-0"



7 RAIL SPLICE SCALE: 1 1/2"=1'-0"



8 THERMAL RAIL SPLICE SCALE: 1 1/2"=1'-0"



KEY PLAN SCALE: N.T.S.

Stirling Madison Lofquist, Inc.

5224 S. 39th Street  
Phoenix, Arizona 85040  
(602) 438-2500  
fax: (602) 438-2505



PRELIMINARY IF NOT SIGNED AND SEALED

DESIGN BY: R.B. DRAWN BY: J.S. CHK. BY: D.H.

065-13d

PV ARRAY - FLUSH MOUNT  
HOOVER HIGH SCHOOL  
651 GLENDALE ROAD  
GLENDALE, CA 91202

IRONRIDGE  
1495 ZEPHYR AVENUE  
HAYWARD, CA 94545

| SHEET NUMBER | SHEET INDEX                                   | REVISION | DATE |
|--------------|---|----------|------|
| SO.1         | GENERAL STRUCTURAL NOTES SHEET INDEX, DETAILS |          |      |
| SI.0         | PARTIAL ROOF FRAMING PLAN ROOF R1             |          |      |
| S2.0         | PARTIAL ROOF FRAMING PLAN ROOF R2             |          |      |
| S2.1         | PARTIAL ROOF FRAMING PLAN ROOF R2             |          |      |
| S2.2         | PARTIAL ROOF FRAMING PLAN ROOF R2             |          |      |
| S2.3         | PARTIAL ROOF FRAMING PLAN ROOF R2             |          |      |
| S2.4         | PARTIAL ROOF FRAMING PLAN ROOF R2             |          |      |
| S2.5         | PARTIAL ROOF FRAMING PLAN ROOF R2             |          |      |

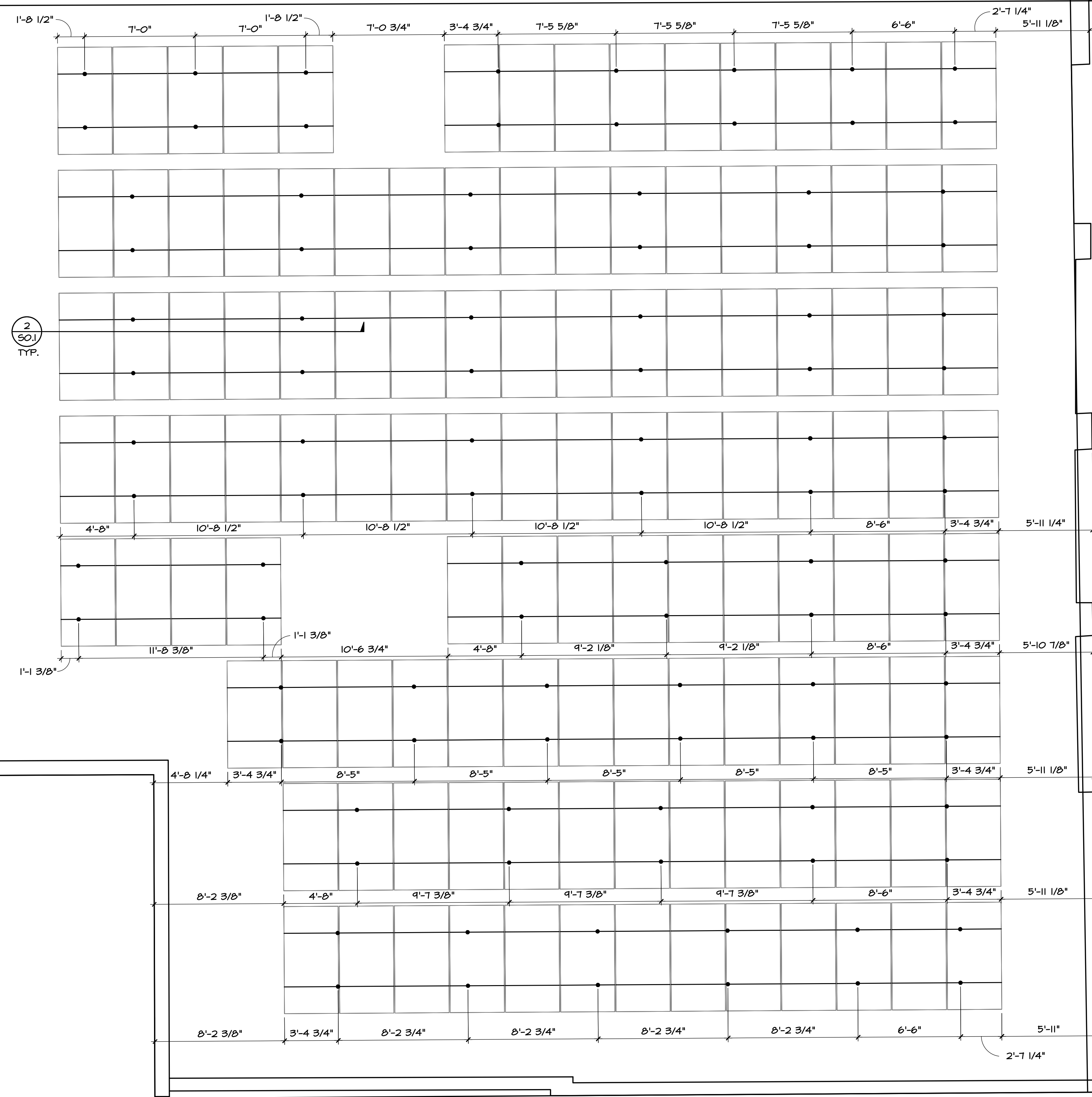
Starling Madison Lofquist, Inc.  
 5224 S. 39th Street  
 Phoenix, Arizona 85040  
 (602) 438-2500  
 fax. (602) 438-2505



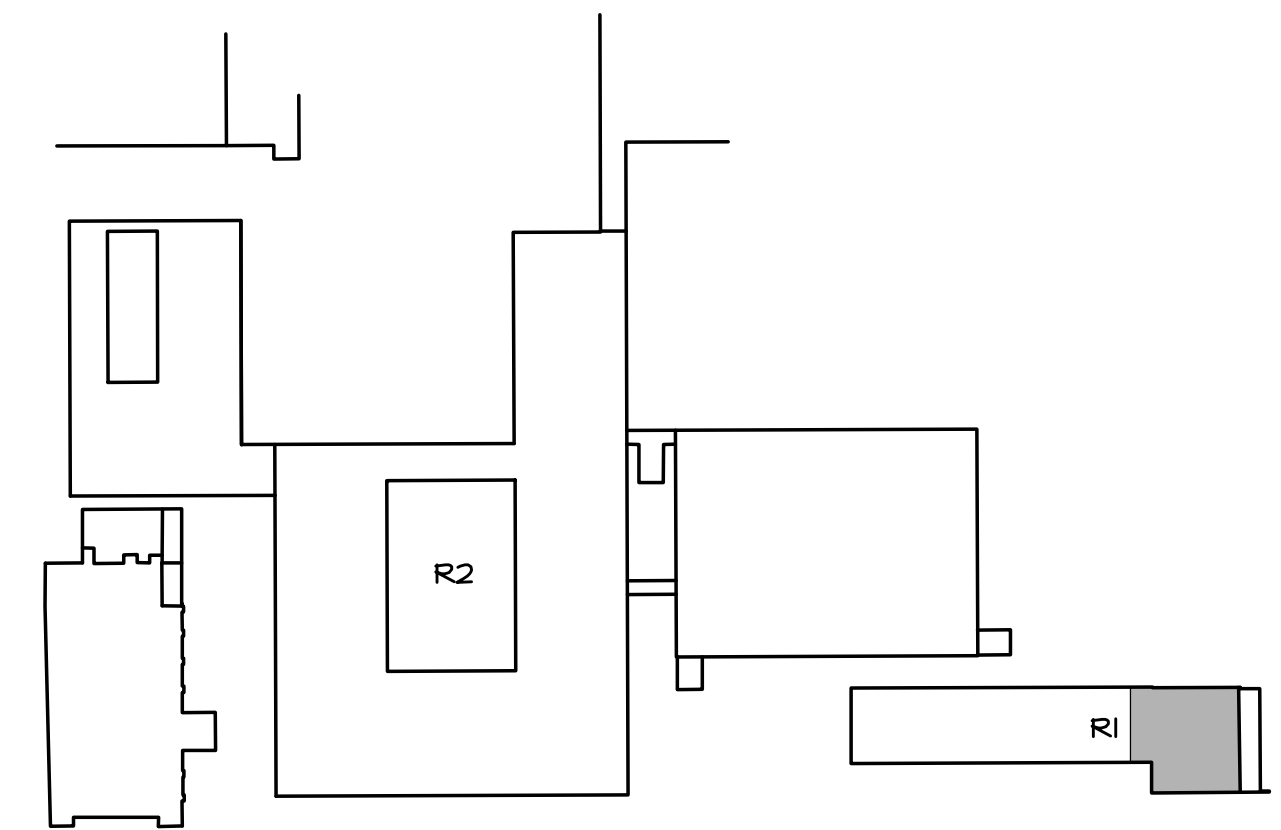
PRELIMINARY IF NOT SIGNED AND SEALED  
 DESIGN BY: R.B. DRAWN BY: J.S. CHK. BY: D.H.  
 065-13d

PV ARRAY - FLUSH MOUNT  
 HOOVER HIGH SCHOOL  
 651 GLENDALE ROAD  
 GLENDALE, CA 91202

IRONRIDGE  
 1495 ZEPHYR AVENUE  
 HAYWARD, CA 94545

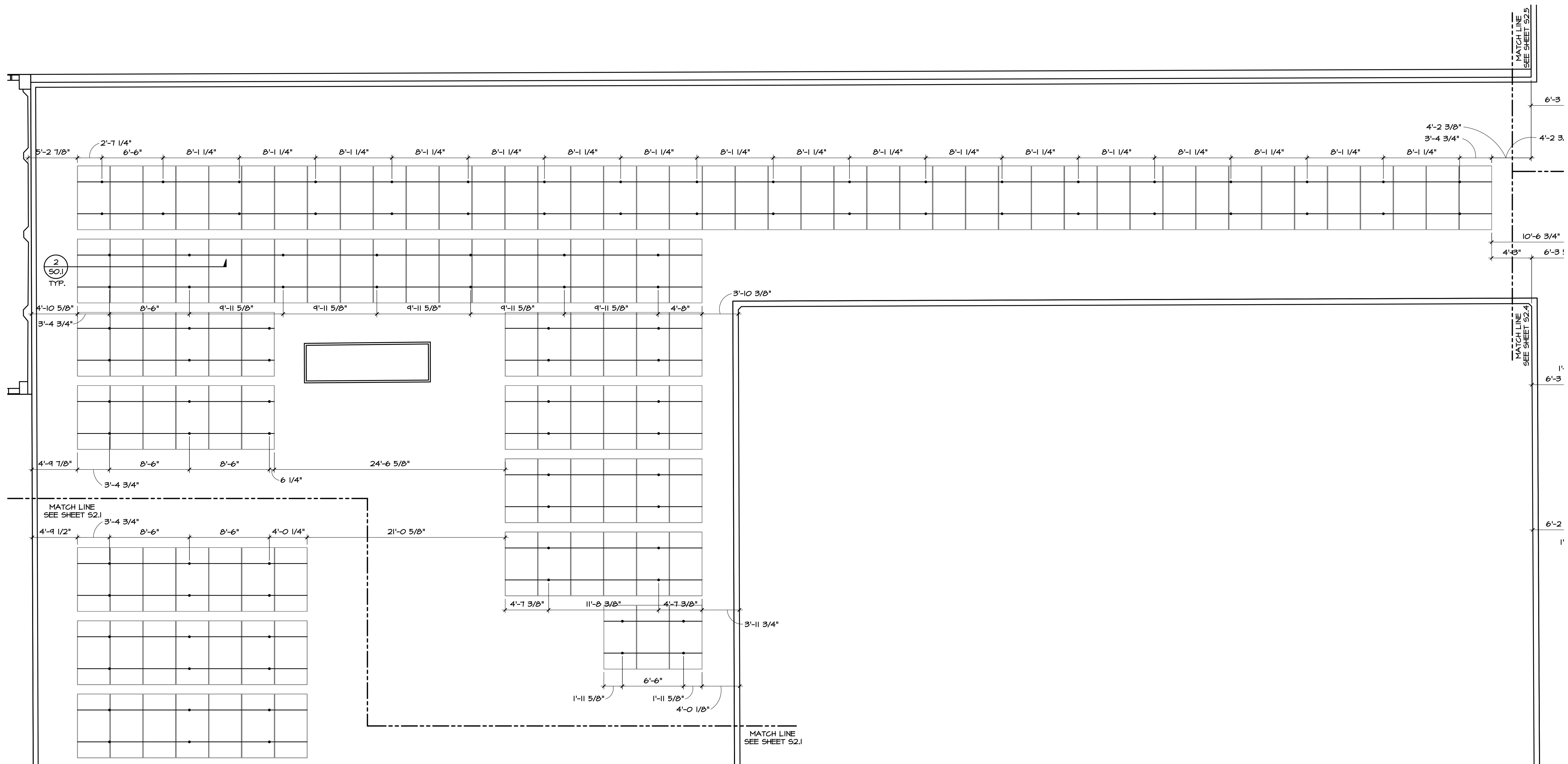


PARTIAL ROOF PLAN  
 SCALE: 1/4"=1'-0"



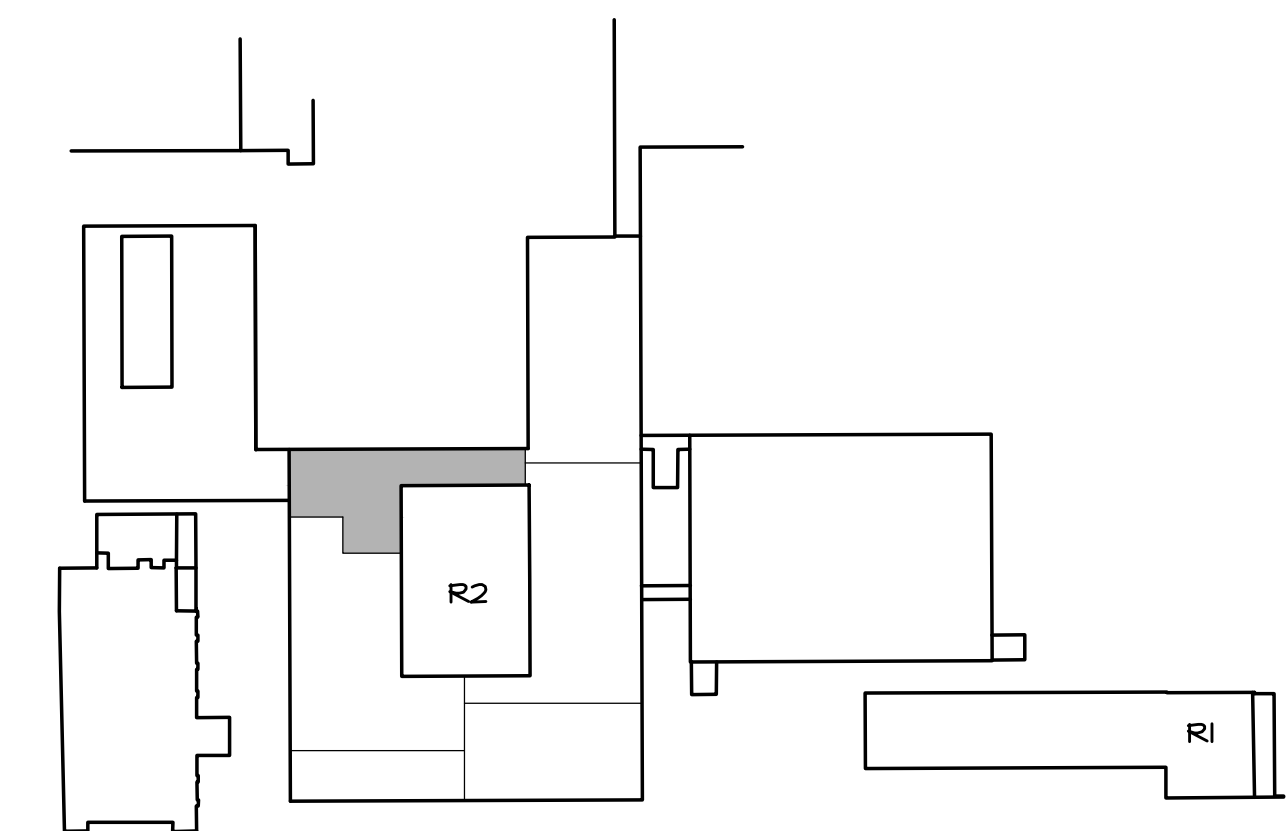
KEY PLAN  
 SCALE: N.T.S.





PARTIAL ROOF PLAN

SCALE:  $\frac{3}{16}'' = 1'-0''$



KEY PLAN

SCALE: N.T.S.



Consulting Structural and  
Forensic Engineers

Stirling Madison Lofquist, Inc.

5224 S. 39th Street  
Phoenix, Arizona 85040  
(602) 438-2500  
fax: (602) 438-2505



PRELIMINARY IF NOT SIGNED AND SEALED

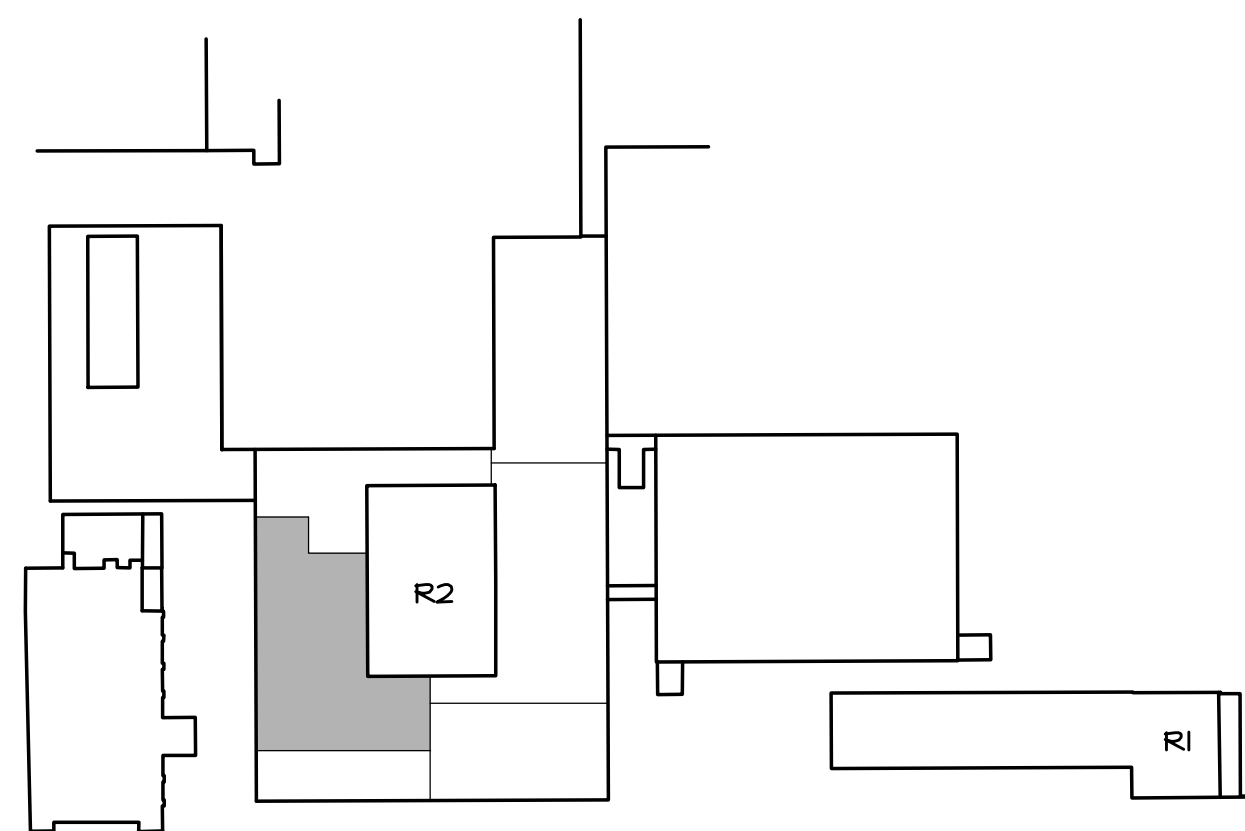
DESIGN BY: R.B. DRAWN BY: J.S. CHK. BY: D.H.

065-13d

PV ARRAY - FLUSH MOUNT  
HOOVER HIGH SCHOOL  
651 GLENDALE ROAD  
GLENDALE, CA 91202

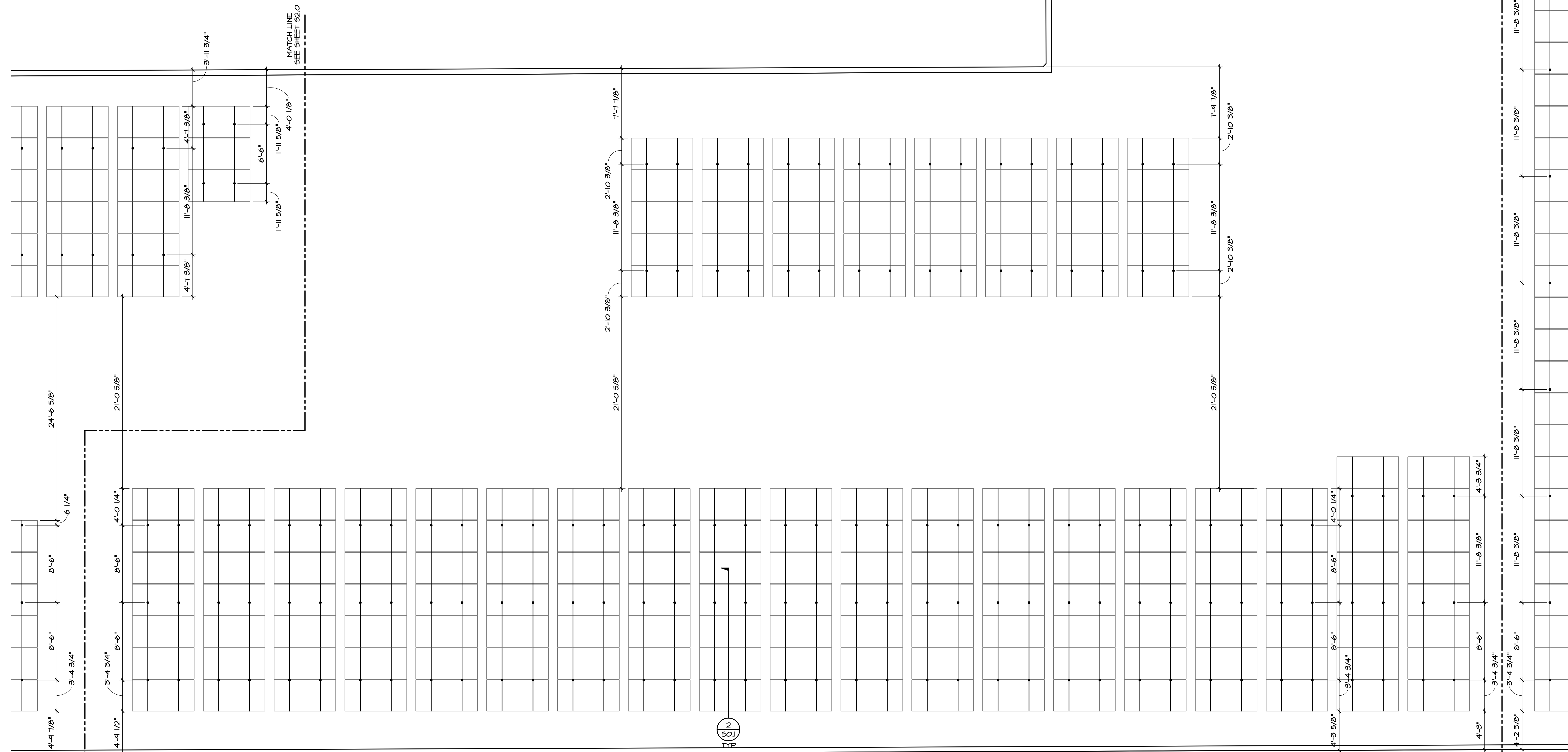
IRONRIDGE  
1495 ZEPHYR AVENUE  
HAYWARD, CA 94545

S2.0



KEY PLAN

SCALE: N.T.S.



PARTIAL ROOF PLAN

SCALE: 3/16"=1'-0"



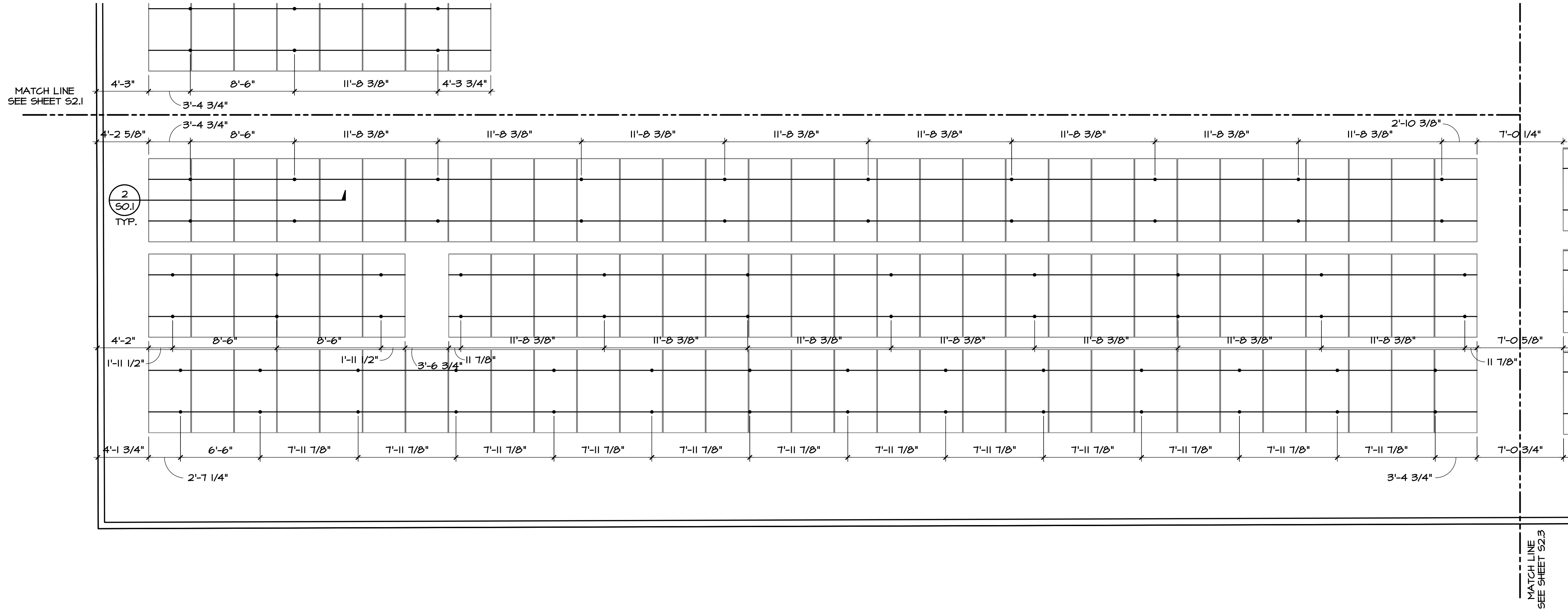
Starling Madison Lofquist, Inc.  
5224 S. 39th Street  
Phoenix, Arizona 85040  
(602) 438-2500  
fax: (602) 438-2505



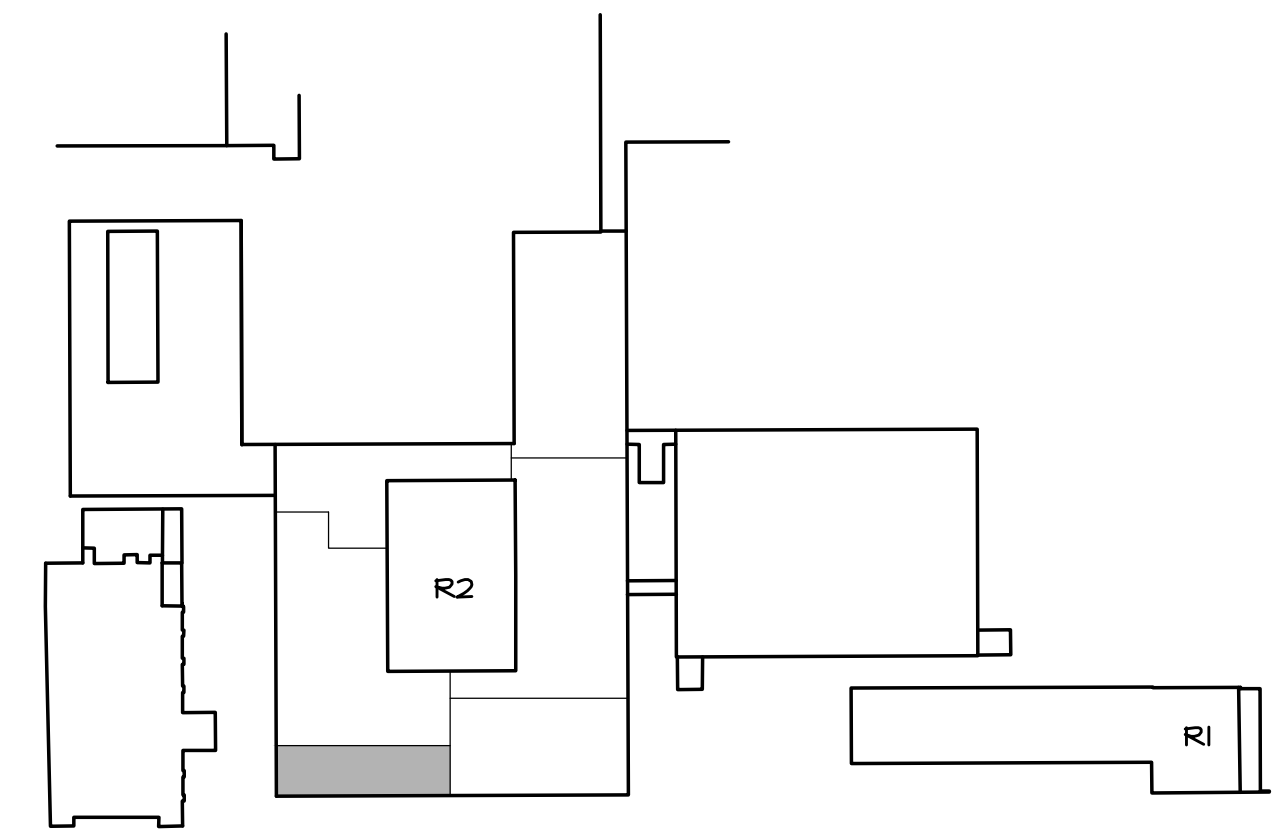
PRELIMINARY IF NOT SIGNED AND SEALED  
DESIGN BY: R.B. DRAWN BY: J.S. CHK. BY: D.H.  
065-13d

PV ARRAY - FLUSH MOUNT  
HOOVER HIGH SCHOOL  
651 GLENDALE ROAD  
GLENDALE, CA 91202

IRONRIDGE  
1495 ZEPHYR AVENUE  
HAYWARD, CA 94545



PARTIAL ROOF PLAN  
SCALE: 3/16"=1'-0"



KEY PLAN  
SCALE: N.T.S.



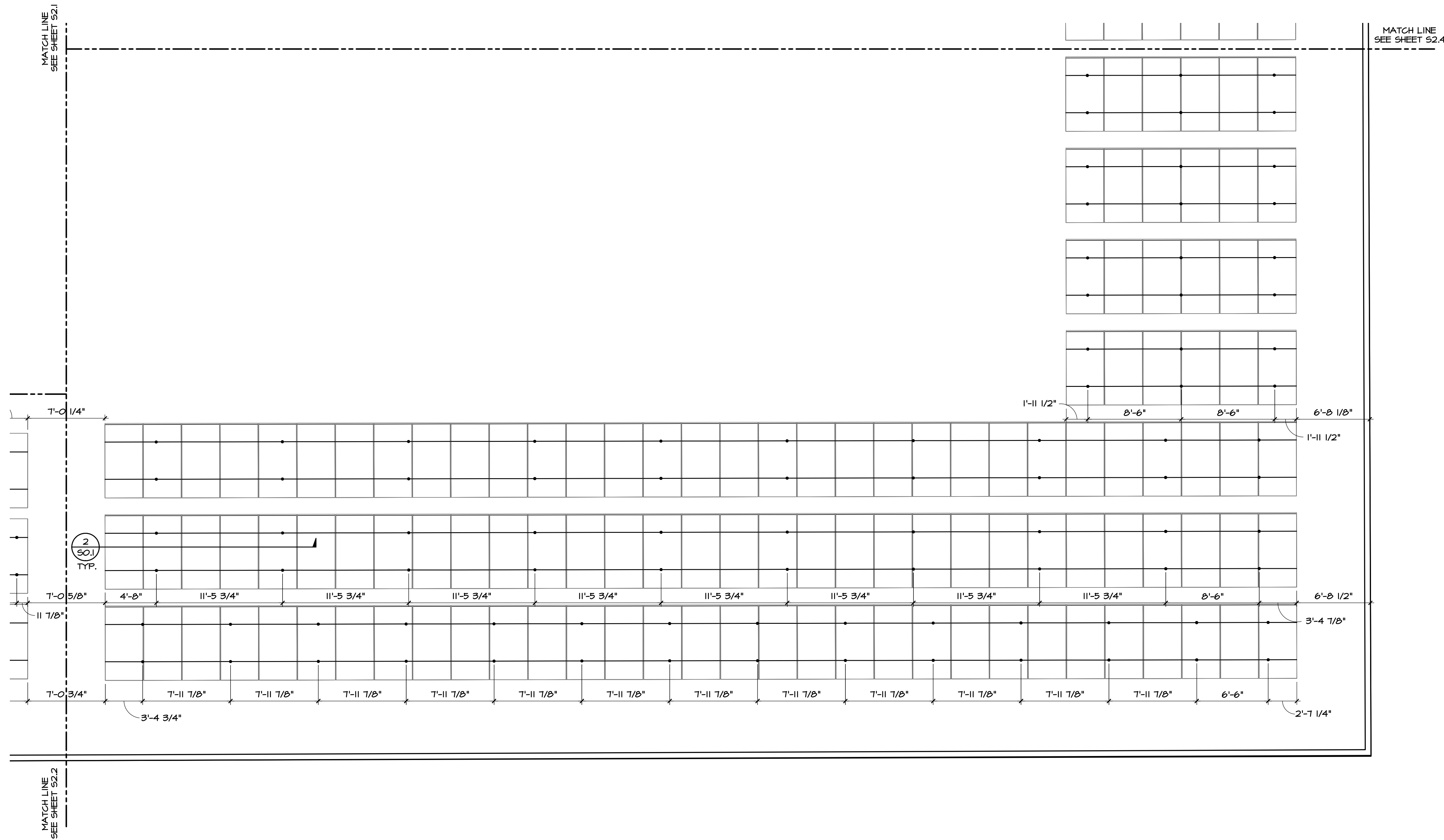
Starling Madison Lofquist, Inc.  
5224 S. 39th Street  
Phoenix, Arizona 85040  
(602) 438-2500  
fax. (602) 438-2505



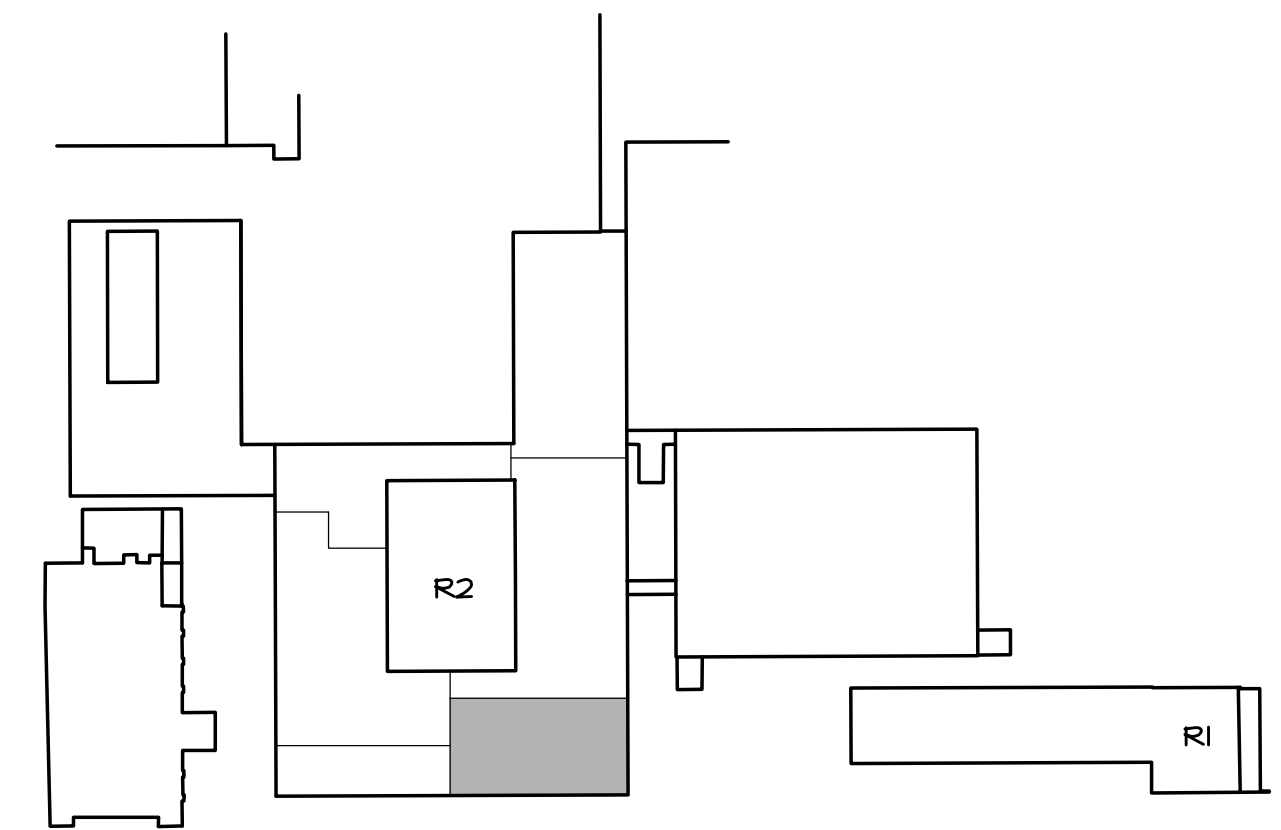
PRELIMINARY IF NOT SIGNED AND SEALED  
DESIGN BY: R.B. DRAWN BY: J.S. CHK. BY: D.H.  
065-13d

PV ARRAY - FLUSH MOUNT  
HOOVER HIGH SCHOOL  
651 GLENDALE ROAD  
GLENDALE, CA 91202

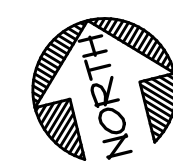
IRONRIDGE  
1495 ZEPHYR AVENUE  
HAYWARD, CA 94545

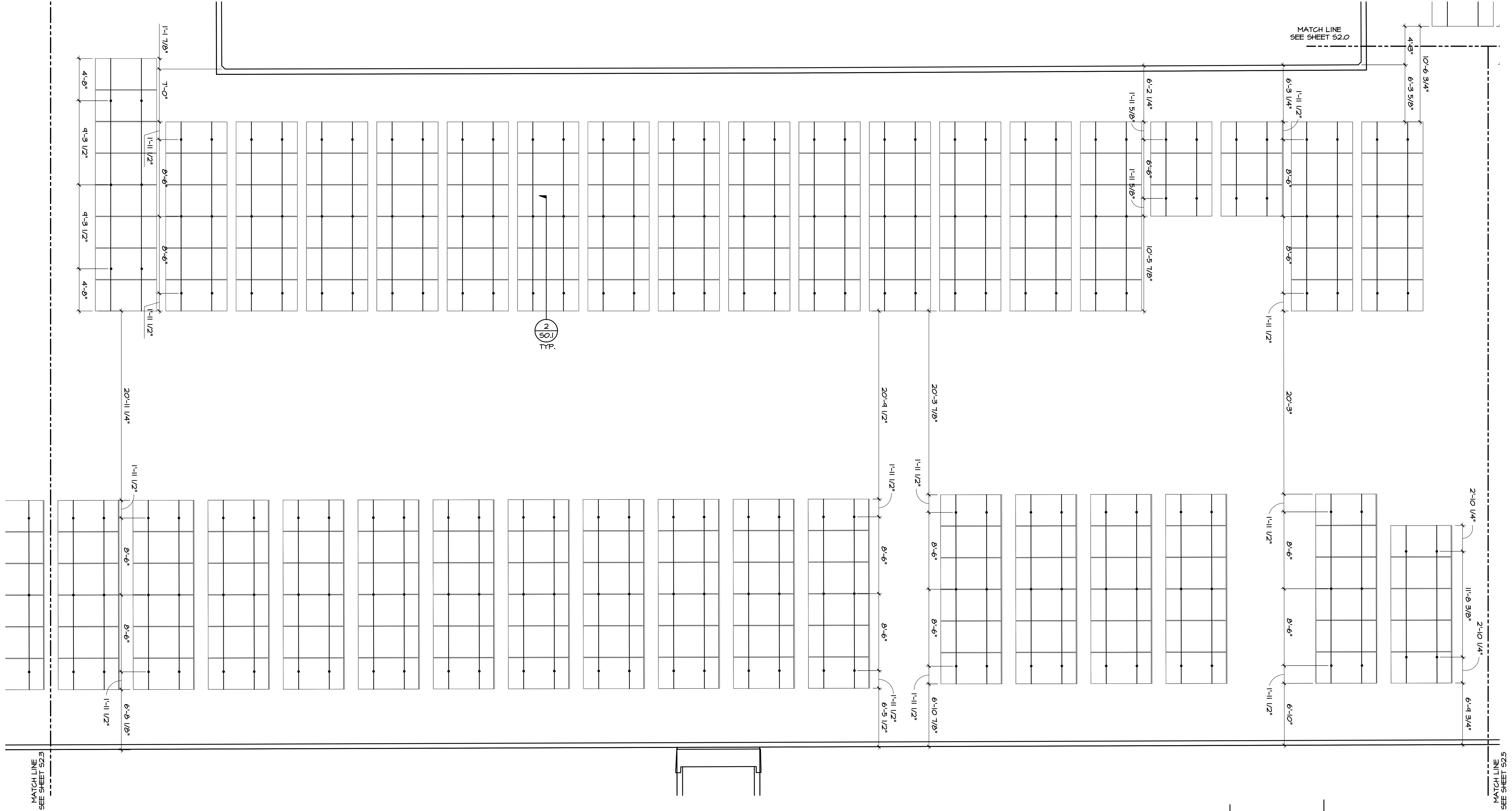


PARTIAL ROOF PLAN  
SCALE: 3/16"=1'-0"

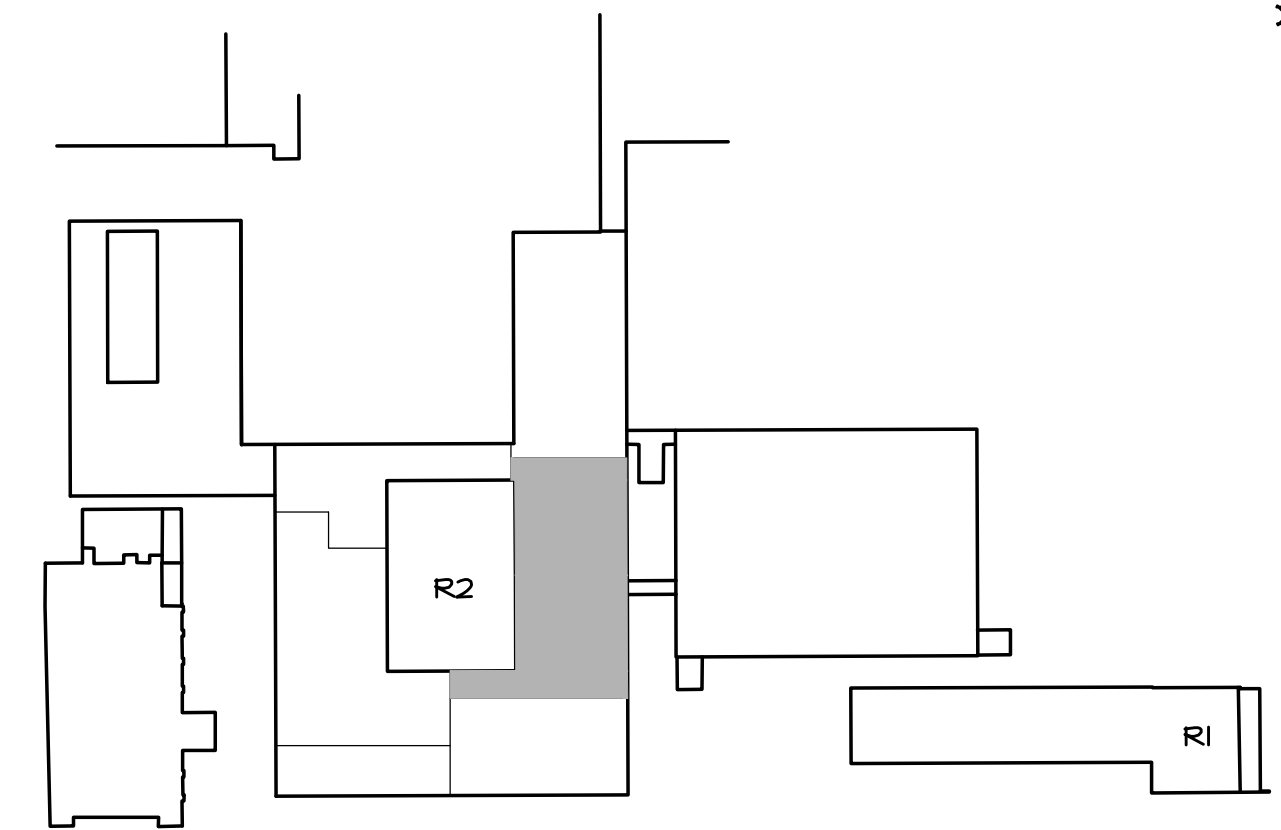


KEY PLAN  
SCALE: N.T.S.





PARTIAL ROOF PLAN  
SCALE: 3/16"=1'-0"



KEY PLAN  
SCALE: N.T.S.





